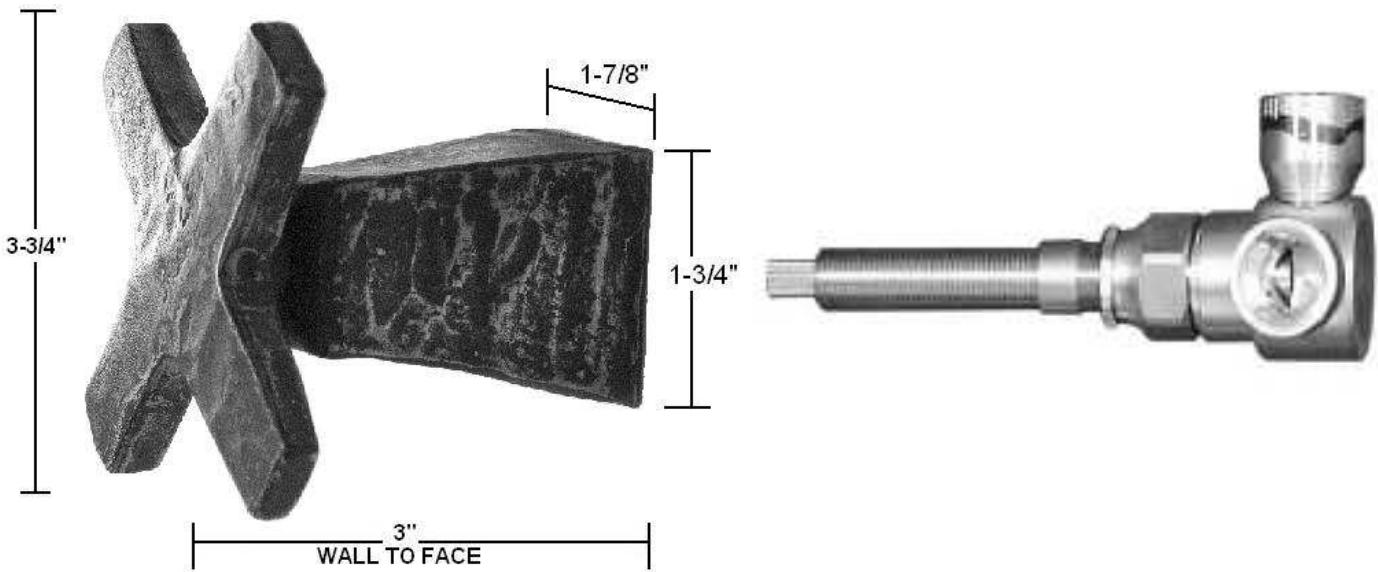




# PRODUCT SPECIFICATIONS

Cixx Wall Mount Tub Filler  
CX-RTF-WM

Oct 2013



- ADA Compliant

Connection	1/2" NPT
Valve	1/2" Ceramic
GPM	8-12